



## VARTA BLUE dynamic

### Vehicle Key Benefits



Engineered to the highest German standards



Patented PowerFrame® grid for reliable starting power, fast recharge and corrosion resistance.



Meets all original criteria of the car manufacturer

For more information visit [varta-automotive.com](http://varta-automotive.com)

### ORDER INFORMATION

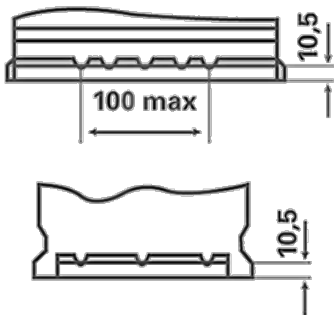
European Type No. (ETN):	552400047
Article Number:	5524000473132
Short Code:	C22
Barcode:	4016987119488
UK Code:	012
Packaging Unit:	1
Quantity per Pallet:	72

### TECHNICAL INFORMATION

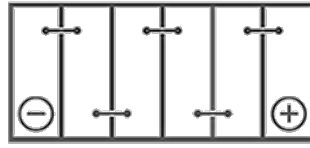
Voltage [V]:	12	Base Hold-down:	B13
Battery Capacity [Ah]:	52	Layout:	0
CCA, EN [A]:	470	Terminal Types:	1
Length [mm]:	207	Case Size:	H4/LN1
Width [mm]:	175	Weight filled (kg):	12,40
Height [mm]:	190		

# DRAWINGS

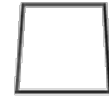
**B13**



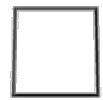
**0**



**1**



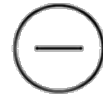
ø 19,5  
H 18



ø 17,9  
H 18



pos.



neg.